

**Warning:** Installation should only be carried out by a qualified service technician as incorrect fitting may create an electrical hazard. Information supplied herein is for the aid of technicians only.

### ET52B002/E0 Service Kit.

Instructions for conversion of  
Electrolux Item 0541001913

#### Specifications

- Max continuous Load Oven 16Amp 240V
- Bush mount.
- Grill & Oven
- Pilot, Fan Support
- Rated to 125 Degree Celsius Ambient Temperature

### Contents Of Kit

- ET52 Thermostat
- 3 Flag Terminals (Right Angle)
- 3 Insulating Boots.
- 1 Circl. motor thermostat 60c Close
- 2 Jumper wires 20cm
- 2 x 6G 7mm Self Tapping Screws

## Function Changes

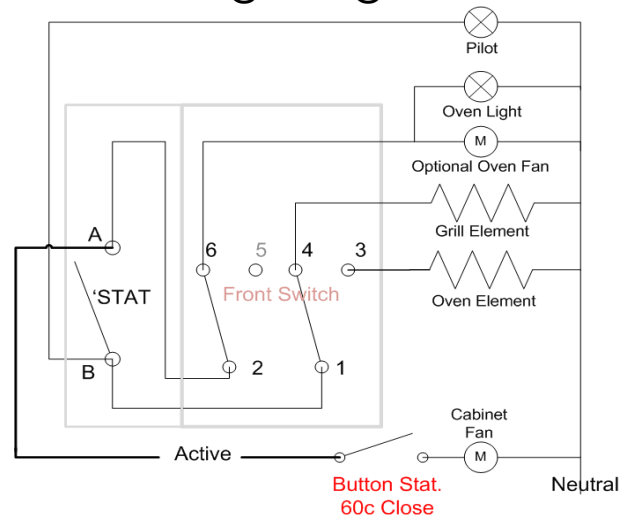
### Please Note & Inform Customer-

This service kit has been designed to replace a thermostat that is no longer available from the original component manufacturer. Some minor changes in operation have resulted-

- Indexing (the click when rotating) is much softer & only occurs at Off, Light & Grill Positions.
- Oven light does not operate on grill .
- Cabinet fan operates on a separate thermostat and will now cycle on & off depending on cabinet temperature

*Please use Supplied Sticker to inform customers of function changes.*

### Wiring Diagram



## Quick Conversion Chart

Detailed instructions—See overleaf

### 541001913

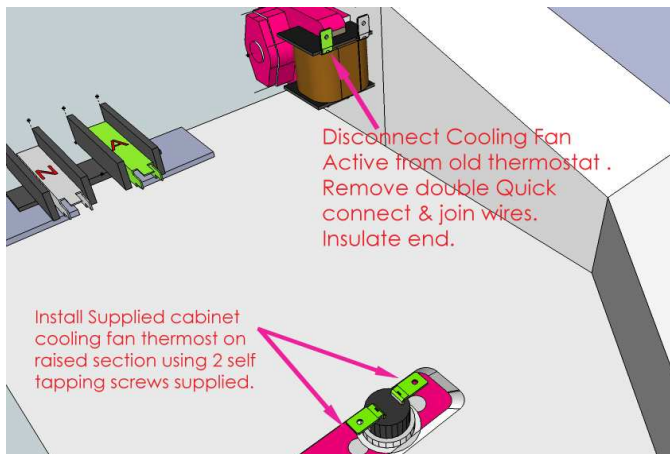
### ET52

Terminal	Function	Terminal	Modification
1	Oven Motor (Optional)	6	Join with 5 (oven light.) Flag terminal & insulated Boot
2	Active	A	
3	Pilot (cycling)	B	
4	Oven Element	3	Fit Flag terminal & insulated Boot
5	Oven Light	6	Fit Flag terminal & insulated Boot (join with 1 if fan motor fitted)
6	Grill	4	Fit Flag terminal & insulated Boot
5	Cooling fan		Thermo control (step 2 & 3)

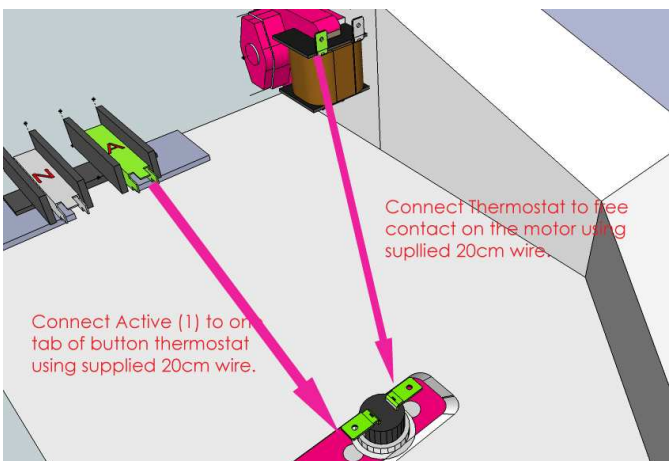
**IMPORTANT!** Although all care is taken to ensure the accuracy of the information contained above, no responsibility is taken or implied as control design, model to model changes & post sale services may have altered how an appliance is wired & therefore cannot be accounted for in the Conversion Guide. Conversion guides are for reference purposes only & care should be taken to ensure that wiring is correct & safe for each application.

# Wiring Instructions.

## 2. Disconnect Active on Cabinet Fan & Fit Button Thermostat



## 3. Connect Cabinet fan to Button type Thermostat



- 1. Disconnect appliance from power supply**
- 2. Install Cabinet Fan Motor Thermostat**

Install Button thermostat with 2 Self tapping screws. Disconnect Cooling fan active at motor. Remove quick connect & join. Insulate so safe from body.

- 3 Connect Cabinet Motor** Using 2 supplied 20cm wires connect Cooling fan active at motor to thermostat & Thermostat to active at junction box.

- 4. Un-mount Old thermostat**  
Remove Knob & unscrew bush mount bolt  
Remove & Replace Thermostat Sensor  
Remove & replace faulty sensor & capillary.

- 5 Active & Pilot , Earth**

Move Earth to Earth  
Move contact 2 (ACTIVE ) to A  
Move contact 3 ( Pilot ) to B

- 6 Fit Flag terminal & Boot\* - Contacts 6 & 4**

Move contact 4 (Oven Element) to 3  
Move contact 4 (Grill Element) to 4

- 7 Fit Flag terminal & Boot\* - Contacts 5 & 1**

Move contact 5(Oven Light) & 1(Optional Fan motor) to 6 **Optional fan motor Join with contact 5 using flag terminal**

**\***(ET52 contacts 3-6 Require supplied right angle connectors & insulation boots to be fitted)  
Remove one of the contacts above.  
Cut off the old connector.  
Slide boot over the wire. Strip 4mm of the wire sheath.  
Fit flag connector -**IMPORTANT Ensure a good electrical contact.** Fit Flag Boot

- 8 Mount New thermostat.**

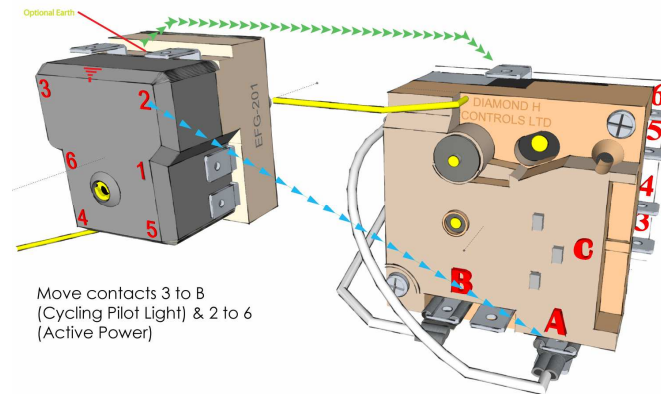
Mount thermostat using bush mount & fit knob & test.

- 9 Place function change advice on knob.**

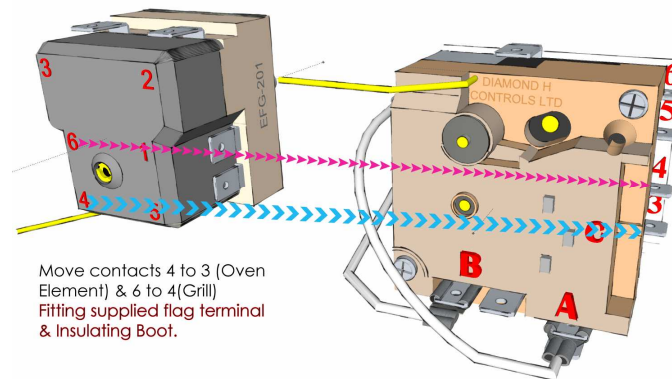
The control is slightly different in operation. So save your self a phone call

- 10 Functional and electrical safety check**  
must be undertaken after installation of the new thermostat and this must be in accordance with the relevant electrical codes of practice for the safety of electrical equipment'.

- 5 Active & Pilot , Earth**



- 6 Fit Flag terminal & Boot\* - Contacts 6 & 4**



- 7 Fit Flag terminal & Boot\* - Contacts 5 & 1**

